

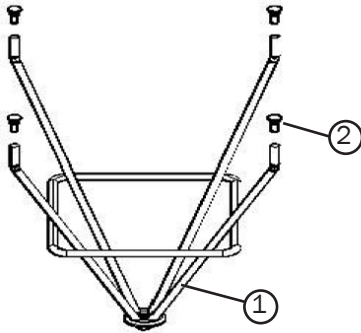
assembly, operating & maintenance instructions

Konfurb FLY 4Leg Swivel Chair

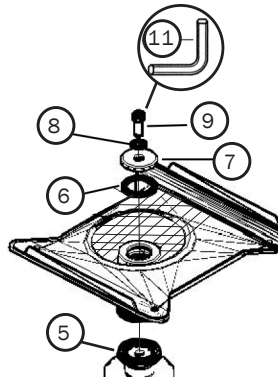
DO NOT ATTEMPT TO ASSEMBLE THIS CHAIR BEFORE READING AND UNDERSTANDING THE ASSEMBLY INSTRUCTIONS

Remove all items from the carton. Verify all pieces before assembly.

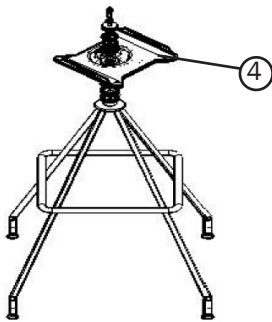
Step 1.



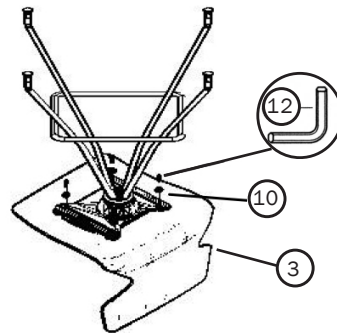
Step 2.



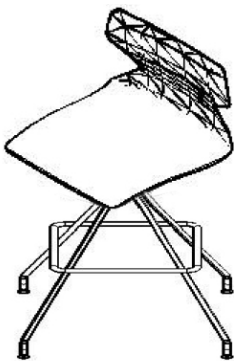
Step 3.



Step 4.



Step 5.



part list

| key | qty | description |
|-----|-----|-----------------------------|
| 1 | 1 | Steel Frame |
| 2 | 4 | Foot Plugs |
| 3 | 1 | Seat/Back Shell |
| 4 | 1 | Swivel Plate |
| 5 | 1 | Lower Plate Bearing |
| 6 | 1 | Upper Plate Bearing |
| 7 | 1 | Top Plate Washer (Large) |
| 8 | 1 | Top Plate Washer (Small) |
| 9 | 1 | Top Plate Screw |
| 10 | 4 | Seat Shell Screws & Washers |
| 11 | 1 | Allen Wrench (M8) |
| 12 | 1 | Allen Wrench (M5) |

care & maintenance

general care

Warning: Polypropylene parts have been treated with a water repellent.

Warning: DO NOT use any acid/alkali or any corrosive solvents such as acetone, contact cleaners, thinners or Methyl Ethyl Ketone (MEK) to clean Polypropylene or Powder Coated surfaces. These solvents will soften and/or dissolve the powder coat, polypropylene & polypropylene water printed surface, diminishing its shine and durability or removing the finish altogether.

To maintain the appearance of this product wipe surfaces with a clean, non-abrasive cloth dampened with a mild detergent solution or extra soft bristle brush. Treat spills and stains as soon as possible. Do not remove any parts for separate cleaning. Do not shampoo clean or with hot water extraction machine. Do not clean with onsite dry cleaning machine.

NOTE:

All powder coat, water printed polypropylene and polypropylene components are inspected for quality and uniformity of finish prior to assembly and delivery. Konfurb assumes no responsibility for nicks, cuts, scratches or any other kind of damage to MUSE chair components caused by normal fair wear and tear, abusive use or improper use which contravenes Konfurb's strict Conditions of Use & Care & Maintenance instructions.

Konfurb does not guarantee its finishes with the use of any solvents other than soap and water.

preventative maintenance & warning!

- Use this product only for seating one person at a time.
- Do not use this chair as a step stool/ladder.
- Do not sit on any part of the chair except the seat.
- Do not use this chair on uneven floor surfaces.
- Do not interfere with the operating of the gas lift.
- Do not use chair unless all bolts, screws and knobs are tight. At least every six months check all bolts, screws and knobs to ensure they are tight.
- If any parts are missing, broken, damaged or worn do not use the product until repairs are made using factory authorised parts.
- Dispose of packaging properly.
- Plastic bag is not a toy. Do not use plastic bag as a head covering as it may cause suffocation.
- Failure to follow these warnings could result in serious injury.